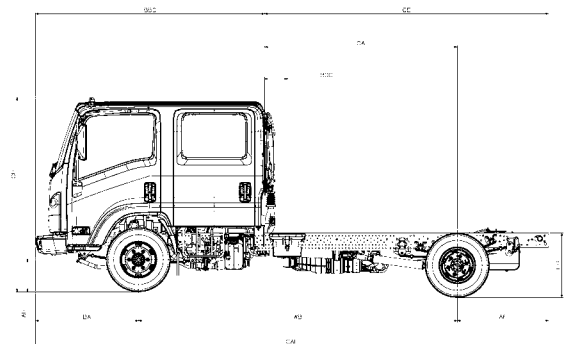
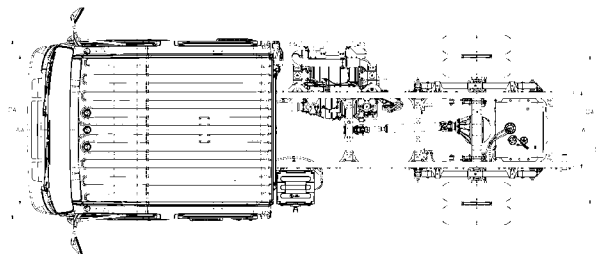


# NPR-XD DIESEL

## CREW CAB

<b>GVWR/GCWR</b>	16,000/22,000 lbs.
<b>BODY/PAYLOAD ALLOWANCE</b>	8,840-8,905 lbs.
<b>GAWR</b> Front Rear	6,630 lbs. 11,020 lbs.
<b>FRONT AXLE CAPACITY</b>	6,830 lbs.
<b>REAR AXLE CAPACITY</b> Ratio	11,020 lbs. 4.777
<b>SUSPENSION F/R SPRINGS</b> Capacity	Tapered/Multi-Leaf 8,440/14,308 lbs.
<b>FRAME</b> Section Modulus Resistance Bending Moment	11.89 in. <sup>3</sup> 523,160 lb.-in.
<b>SERVICE BRAKES</b> Front/Rear	Vacuum/Hydraulic with 4-Channel ABS Disc/Drum
<b>EXHAUST BRAKE</b>	Standard
<b>TRANSMISSION</b>	Aisin A465 6-speed auto. with double overdrive and lock-up 2 <sup>nd</sup> -6 <sup>th</sup> gears
<b>ENGINE</b>  Displacement Engine Power Engine Torque	Isuzu 4HK1-TC turbocharged intercooled diesell  5.2L (317 in. <sup>3</sup> ) 215 hp @ 2,500 rpm 452 lb.-ft. @ 1,850 rpm
<b>OIL LEVEL INDICATOR</b>	Dash-mounted oil level check switch and light
<b>LIMITED SLIP DIFFERENTIAL</b>	Optional
<b>ALTERNATOR</b>	140-amp
<b>BATTERIES</b>	2 Maintenance-Free 750-CCA
<b>TIRES LRR</b> (Low Rolling Resistance)	225/70R19.5F (12-pr) Standard
<b>STEERING</b>	Integral Hydraulic Power
<b>STEERING COLUMN</b>	Tilt and Telescopic
<b>FUEL TANK</b> Standard	30 gal. in-rail
<b>FUEL/WATER SEPARATOR</b>	Dual fuel filter with dash mounted indicator light



Wheelbase (in.)	Cab to Axle (in.)	Cab to End of Frame (in.)	Back of Cab (in.)	Overall Length (in.)	Body Length (ft.)	Overall Width (in.)	Axle Width (in.)	Overall Height (in.)
150.0	88.5	131.6	5.3	241.5	12	81.3	65.6	92.4
176.0	114.5	157.6	5.3	267.5	16	81.3	65.6	92.4

### 2019 ISUZU N-SERIES DIESEL WARRANTY COVERAGE AT A GLANCE

Vehicle Coverage	Warranty Limitations (Time or Mileage, Whichever Comes First)*		Percentage Of Dealer's Normal Charge Paid By Owner	
	Time in years	Vehicle kilometers	Parts	Labor
Basic	0-3 Years	Unlimited	No Charge	No Charge
Engine	0-3 Years	Unlimited	No Charge	No Charge
• Transmission • Drive Axle • Driveshaft • Front Axle I-Beam • Crossmembers • Flywheel Housing • Clutch Housing	0-3 Years	Unlimited	No Charge	No Charge
Frame Rails	0-3 Years	Unlimited	No Charge	No Charge
Cab Sheet Metal (Rust through)	3-5 Years	Unlimited	50%	50%
Cab Sheet Metal (Corrosion)	0-5 Years	Unlimited	No Charge	No Charge
Engine Emission Control System	0-3 Years	Unlimited	No Charge	No Charge
Tire	0-5 Years	0-160,000	No Charge	No Charge
	0-2 Years	0-38,400	No Charge	No Charge

\* The warranty coverages are determined by the mileage of the vehicle and the number of years from the delivery date. See your authorized Isuzu dealer for warranty details.