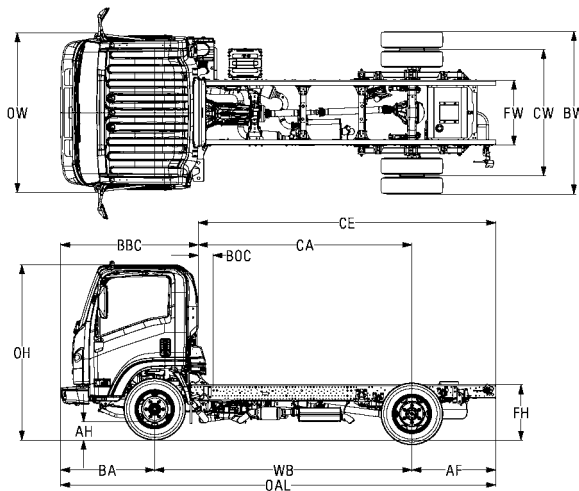


# NPR GAS

## STANDARD CAB



Wheelbase (in.)	Cab to Axle (in.)	Cab to End of Frame (in.)	Back of Cab (in.)	Overall Length (in.)	Body Length (ft.)	Overall Width (in.)	Axle Width (in.)	Overall Height (in.)
109.0	86.5	129.6	6.5	200.5	10-12	81.3	65.6	90.0
132.5	110.0	153.1	6.5	224.0	14	81.3	65.6	90.0
150.0	127.5	170.6	6.5	241.5	16-18	81.3	65.6	90.0
176.0	153.5	196.6	6.5	267.5	18-20	81.3	65.6	90.0

<b>GVWR/GCWR</b>	12,000/18,000 lbs.
<b>BODY/PAYLOAD ALLOWANCE</b>	6,782 - 6,978 lbs.
<b>GAWR</b> Front Rear	4,860 lbs. 8,840 lbs.
<b>FRONT AXLE CAPACITY</b>	6,830 lbs.
<b>REAR AXLE CAPACITY</b> Ratio	11,020 lbs. 4.100
<b>SUSPENSION F/R SPRINGS</b> Capacity	Tapered/Multi-Leaf 8,440/12,900 lbs.
<b>FRAME</b> Section Modulus Resistance Bending Moment	7.20 in. <sup>3</sup> 316,800 lb.-in.
<b>SERVICE BRAKES</b> Front/Rear	Vacuum/Hydraulic with 4-Channel ABS Disc/Drum
<b>TRANSMISSION</b>	6L90 6-speed auto. with double overdrive and lock-up converter
<b>ENGINE</b>	GMPT L96 (Gen IV) V8 Vortec 6000 (Optional: KL8 - Alternative Fuel Capable Engine)
Displacement Engine Power Engine Torque	6.0L (365 in. <sup>3</sup> ) 297 hp @ 4,300 rpm 372 lb.-ft. @ 4,000 rpm
<b>LIMITED SLIP DIFFERENTIAL</b>	Optional
<b>ALTERNATOR</b>	145-amp
<b>BATTERIES</b>	1 Maintenance-Free 750-CCA
<b>TIRES LRR</b> (Low Rolling Resistance)	215/85R16E (10-pr) Standard
<b>STEERING</b>	Integral Hydraulic Power
<b>STEERING COLUMN</b>	Tilt and Telescopic
<b>FUEL TANK</b> Standard	30 gal. in-frame

### 2018 ISUZU N-SERIES GAS WARRANTY COVERAGE AT A GLANCE

Vehicle Coverage	Warranty Limitations (Time or Mileage, Whichever Comes First)*		Percentage Of Dealer's Normal Charge Paid By Owner	
	Time in years	Vehicle kilometres	Parts	Labor
Basic (See "What's covered")	0-3 Years	0-60,000	No Charge	No Charge
Engine				
• Transmission			No Charge	No Charge
• Drive Axle	0-5 Years	0-120,000	No Charge	No Charge
Frame Rails	0-3 Years	0-60,000	No Charge	No Charge
	3-5 Years	Unlimited	50%	50%
Tire	0-2 Years	0-38,400	No Charge	No Charge
Cab Sheet Metal (Rust through)	0-5 Years	Unlimited	No Charge	No Charge
Cab Sheet Metal (Corrosion)	0-3 Years	Unlimited	No Charge	No Charge
Engine Emission Control System	0-5 Years	0-80,000	No Charge	No Charge

\* The warranty coverages are determined by the mileage of the vehicle and the number of years from the delivery date. See your authorized Isuzu dealer for warranty details.